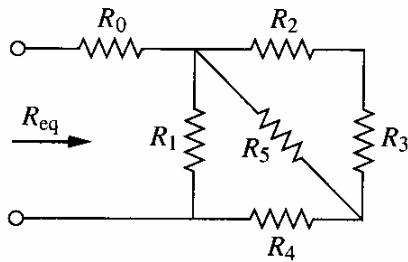


生機系電工學第二次隨堂練習 2011/03/09

學號： _____ 姓名： _____

Problem 1

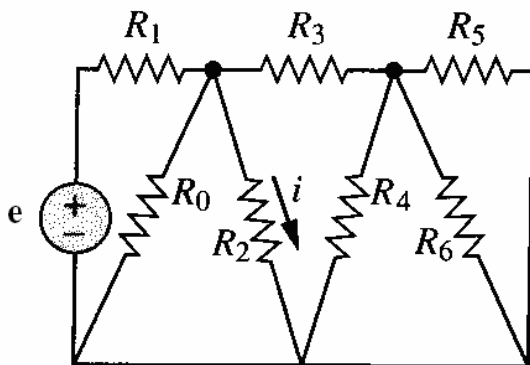
Find the equivalent resistance of the circuit as shown



$$R_{EQ} = ((R_2 + R_3) // R_5 + R_4) // R_1 + R_0$$

Problem 2

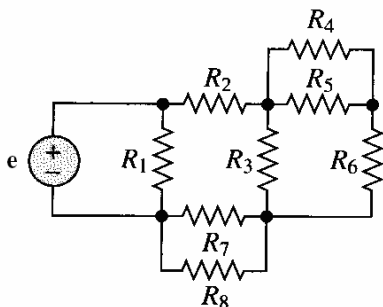
Find the equivalent resistance seen by the source in the circuit as shown.



$$R_{EQ} = (((R_5 // R_6 // R_4) + R_3) // R_2 // R_0 + R_1$$

Problem 3

Find the equivalent resistance seen by the source in the circuit as shown.



$$R_{EQ} = (((((R_4 // R_5) + R_6) // R_3) + R_2 + (R_7 // R_8)) // R_1$$